

Permanent Light 800 / Accessories
Surface housing 3-fold GY



Part No.: 975.815.08

MECHANICAL DATA	
Length	266 mm
Width	80 mm
Height	60 mm
Materials	ABS
Housing colour	Grey
Protection category	IP65
Weight with packaging	293 g
Product weight	293 g

ELECTRICAL DATA	
Operating voltage type	AC

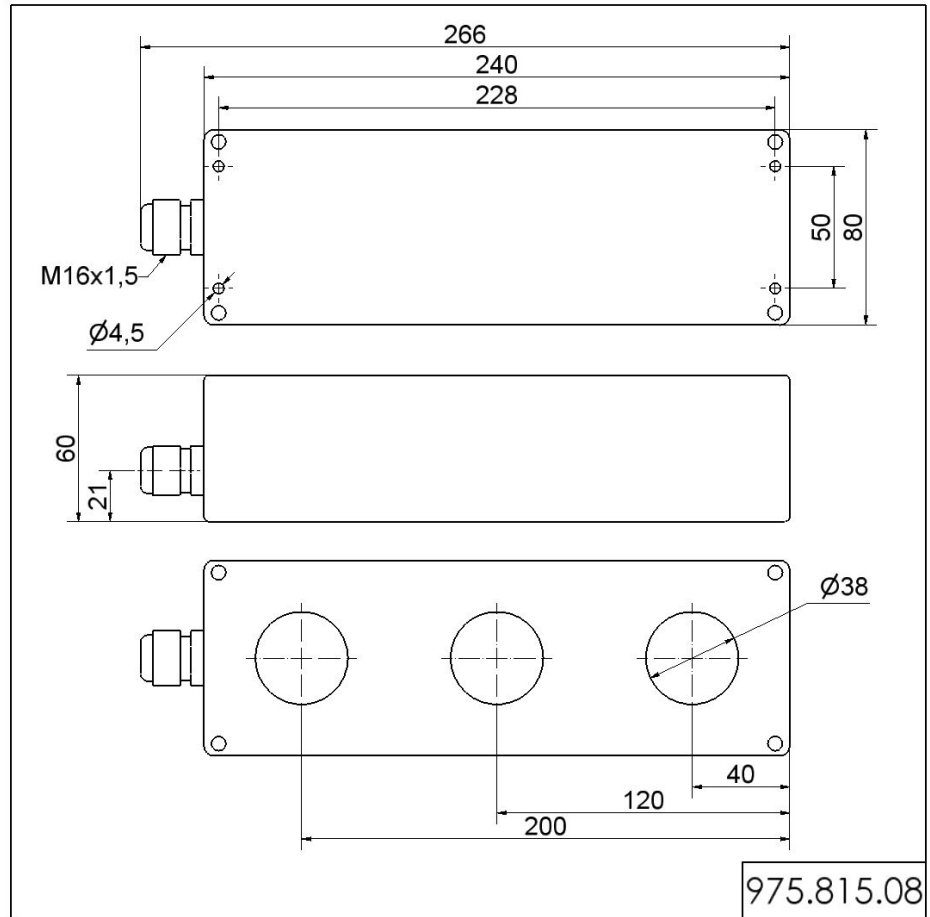
APPROVAL DATA	
WEEE	No
Conforms with RED directive	No
Conforms with ATEX-directive	No
Conforms with CCC	No
Conforms with UL	No
Conforms with FCC	No
Conforms with IC	No
EAC certificate available	No
Conforms with AS-I	No
ICAO Certification	No
Conforms with DNV	No
Conforms with RoHS CN	No



For additional installation and mounting information, refer to the appropriate user guide at www.werma.com. This printed copy is for information only and is subject to alteration.

Permanent Light 800 / Accessories
Surface housing 3-fold GY

DRAWING



! For additional installation and mounting information, refer to the appropriate user guide at www.werma.com. This printed copy is for information only and is subject to alteration.